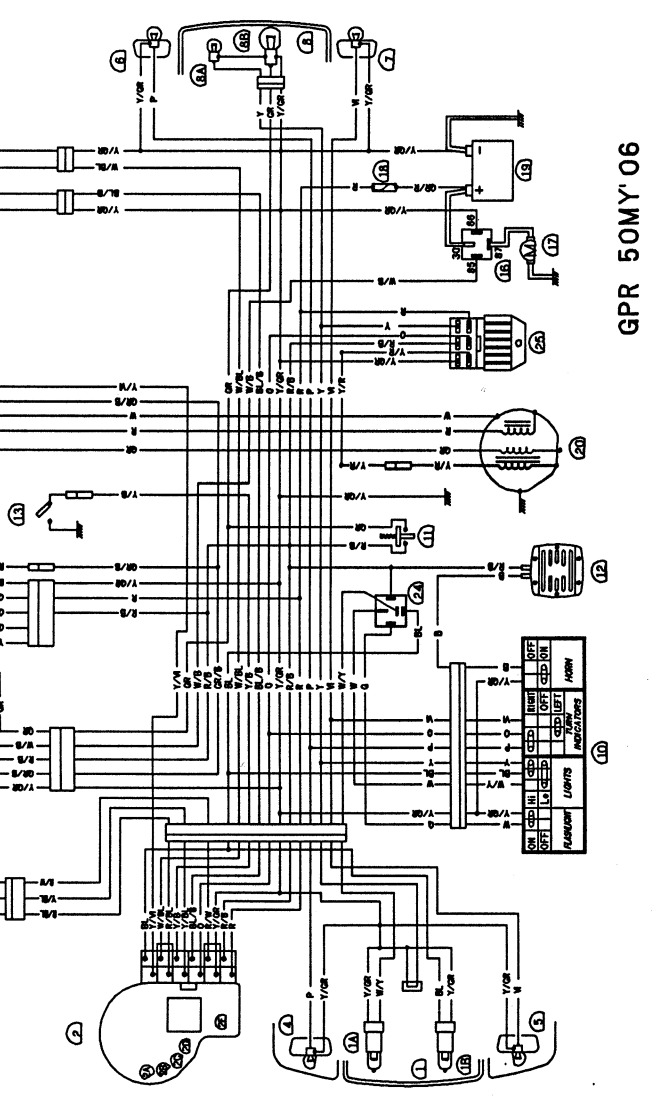


D	O	GR	B	BR	W	G	Y	BL	R	P	M
Orange	Orange	Grün	Schwarz	Braun	Weiß	Grün	Gelb	Blau	Rot	Rosa	Violet
UK	UK	Verd	Noir	Marron	Blanc	Gris	Jaune	Bleu	Rouge	Rose	Violet
UK	UK	Green	Black	Brown	White	Grey	Yellow	Blue	Red	Pink	Violet
E	E	Verde	Nero	Marrone	Bianco	Grigio	Giallo	Azzurro	Rosso	Rosa	Violeta
CAT	CAT	Verde	Negro	Marron	Blanco	Gris	Amarillo	Azul	Roj	Rosa	Violeta

- UK ELECTRICAL WIRING DIAGRAM**
- HEADLIGHT
 - 1A HEADLIGHT DIPPED BEAM BULB 12V 35W H8
 - 1B HEADLIGHT HIGH BEAM BULB 12V 35W H8
 - SPEEDOMETER
 - 2A LED INDICATOR WATER
 - 2B LED INDICATOR OIL
 - 2C LED INDICATOR FUEL
 - 2D LED INDICATOR HIGH BEAM
 - 2E LED INDICATOR TURN SIGNAL
 - IGNITION SWITCH
 - 3 FRONT RIGHT TURN SIGNAL BULB 12V R 10W
 - 3 FRONT LEFT TURN SIGNAL BULB 12V L 10W
 - 3 REAR RIGHT TURN SIGNAL BULB 12V R 2.3W
 - 3 REAR LEFT TURN SIGNAL BULB 12V L 2.3W
 - TAILLIGHT
 - 8A TAIL BULB 12V 2.3W
 - 8B LAMPADA SPA 12V 2.3W
 - ENGINE STOP / ENGINE SWITCH
 - 9 LIGHTS TURN INDICATORS FLASHLIGHT AND HORN SWITCH
 - 11 STOPLIGHT SWITCH
 - HORN
 - 13 WATER TEMPERATURE THERMOSTAT
 - 14 OIL LEVEL SENSOR
 - 15 FUEL LEVEL SENSOR
 - 16 STATER RELAY
 - 17 STATER MOTOR
 - 18 FUSE 7.5 Amp
 - 19 BATTERY 12V 4Ah
 - 20 ELECTRONIC MAGNETO 12V 85W
 - 21 ELECTRONIC CONVERTER A.T.
 - 22 SPARK PLUG ANTI-RADIO INTERFERENCES
 - 23 SPARK PLUG
 - 24 LIGHTS SIGNAL BOX 12V 10/10W+REGULATOR 12V 80W AC-DC
 - 25 TURN SIGNAL BOX 12V 10/10W+REGULATOR 12V 80W AC-DC
 - 26 UNIT DRIVE (HALL EFFECT)



- E ESQUEMA ELECTRICO**
- FARO DELANTERO
 - 1A FARO DELANT. DER. LUZ CORTA LAMPARA 12V 35W H8
 - 1B FARO DELANT. IZQ. LUZ LARGA LAMPARA 12V 35W H8
 - CTO. TABLIER
 - 2A LED INDICADOR TEMPERATURA AGUA
 - 2B LED INDICADOR ACEITE
 - 2C LED INDICADOR GASOLINA
 - 2D LED INDICADOR INTENSIVA
 - 2E LED INDICADOR INTERMITENTES
 - LLAVE DE CONTACTO
 - 3A INTERMITENTE DELANT. DER. LAMPARA 12V R 10W
 - 3A INTERMITENTE DELANT. IZQ. LAMPARA 12V R 10W
 - 3B INTERMITENTE TRASERO DER. LAMPARA 12V 2.3W
 - 3B INTERMITENTE TRASERO IZQ. LAMPARA 12V 2.3W
 - FARO PILOTO
 - 8A LAMPARA PILOTO 12V 2.3W
 - 8B LAMPARA STOP 12V 16W
 - INTERRUPTOR STOP Y ARRANQUE
 - 9 COMMUTADOR RAFAGAS-LUCES-INTERMITENTES-CLAXON
 - 11 INTERRUPTOR STOP
 - 12 CLAXON
 - 13 THERMOCONTACTO TEMPERATURA AGUA
 - 14 SENSOR RESERVA ACEITE
 - 15 SENSOR RESERVA GASOLINA
 - 16 RELE DE ARRANQUE
 - 17 MOTOR DE ARRANQUE
 - 18 FUSIBLE 7.5 Amp
 - 19 BATERIA 12V 4Ah
 - 20 VOLANTE MAGNETICO ELECTRONICO 12V 85W
 - 21 CONVERTSOR ELECTRONICO A.T.
 - 22 PIPA ANTIPARASITARIA
 - 23 BUJIA
 - 24 RELE DE LUCES 12V 30/20Amp
 - 25 CENTRAL CLIGNANT 12V 10/10W+REGULADOR 12V 80W AC-DC
 - 26 REENMO ELECTRONICO (HALL EFFECT)

- D ELEKTROSCHEMA**
- SCHWEINWERFER
 - 1A SCHWEINWERFER RECHTS ABLENDLICHT 12V 35W H8
 - 1B SCHWEINWERFER LINKS FERNLICHT 12V 35W H8
 - INSTRUMENTENBRETT
 - 2A LED ZEIGER WASSERTEMPERATUR
 - 2B LED ZEIGER ÖLSTAND
 - 2C LED ZEIGER BENZIN
 - 2D LED ZEIGER FERNLICHT
 - 2E LED ZEIGER FAHRRICHTUNGSANZEIGER
 - ZÜNDSCHLOß
 - 3 FAHRRICHTUNGSANZEIGER VORN RECHTS 12V R 10W
 - 3 FAHRRICHTUNGSANZEIGER VORN LINKS 12V R 10W
 - 3 FAHRRICHTUNGSANZEIGER HINTEN RECHTS 12V 2.3W
 - 3 FAHRRICHTUNGSANZEIGER HINTEN LINKS 12V 2.3W
 - SCHLUSBLEUCHE 21W
 - 8A LAMPE RÜCKLICHT 12V 2.3W
 - 8A LAMPE BREMSLICHT 12V 16W
 - ANLASSEKNOFF
 - 9 UMSCHALTER-LIGHTHUPE-FAHRRICHTUNGSANZEIGER UND HUPE
 - 11 STOPPSCHALTER
 - 12 HUPE
 - 13 THERMOSTAT WASSERTEMPERATUR
 - 14 SONDE ÖLRESERVE
 - 15 FAHRRICHTUNGSANZEIGER
 - 16 BENZINSTANDSONDE
 - 17 ANLASSEKNOFF
 - 18 ANLASSEMOTOR
 - 19 SICHERUNG 7.5Amp
 - 19 BATTERIE 12V 4Ah
 - 20 MAGNETISCHWUNDRAD 12V 85W
 - 21 ELEKTRONISCHER UMSCHALTER
 - 22 ENTSTÖRUNGSNIPPEL
 - 23 ZÜNDSCHLÜß
 - 24 RELAISCHALTER SCHWEINWERFER 12V 30/20Amp
 - 25 BLINKLEUCHTE 12V 10/10W + REGLER 12V 80W AC-DC
 - 26 TACHOANTRIEB (HALL EFFECT)

- CAT ESQUEMA ELECTRICO**
- FAR DAVANTER
 - 1A FAR DAVANT. DRET LLUM CURTA BOMBETA 12V 35W H8
 - 1B FAR DAVANT. ESQUER. LLUM LLARGA BOMBETA 12V 35W H8
 - CONJUNT TABLIER
 - 2A LED INDICADOR TEMPERATURA AGUA
 - 2B LED INDICADOR OLI
 - 2C LED INDICADOR BENZINA
 - 2D LED INDICADOR INTENSIVA
 - 2E LED INDICADOR INTERMITENTS
 - CLAU DE CONTACTE
 - 3A INTERMITENT DAVANT. DRET BOMBETA 12V R 10W
 - 3A INTERMITENT DAVANT. ESQUER. BOMBETA 12V R 10W
 - 3B INTERMITENT TRASER DER. BOMBETA 12V 2.3W
 - 3B INTERMITENT TRASER ESQUER. BOMBETA 12V 2.3W
 - FARO PILOT
 - 8A BOMBETA PILOT 12V 2.3W
 - 8B BOMBETA STOP 12V 16W
 - INTERRUPTOR STOP I ARRANQUE
 - 9 COMMUTADOR RAFAGAS-LLUMS-INTERMITENTS-CLAXON
 - 11 INTERRUPTOR STOP
 - 12 CLAXON
 - 13 THERMOCONTACTE TEMPERATURA AGUA
 - 14 SENSOR RESERVA OLI
 - 15 SENSOR RESERVA BENZINA
 - 16 RELE DE ARRANQUE
 - 17 MOTOR DE ARRANQUE
 - 18 FUSIBLE 7.5 Amp
 - 19 BATERIA 12V 4Ah
 - 20 VOLANT MAGNETIC ELECTRONIC 12V 85W
 - 20 CONVERTSOR ELECTRONIC A.T.
 - 21 PIPA ANTIPARASITARIA
 - 22 BUJIA
 - 24 RELE DE LLUMS 12V 30/20Amp
 - 25 CENTRAL INTERM. 12V 10/10W+REGULADOR 12V 80W AC-DC
 - 26 REENMO ELECTRONIC (HALL EFFECT)

- F ESHEMA ELECTRIQUE**
- PHARE AVANT
 - 1A PHARE AVANT DROIT LUMIERE COURTE LAMPE 12V 35W H8
 - 1B PHARE AVANT GAUCHE LUMIERE INTENSIVE LAMPE 12V 35W H8
 - TABLIER DE COMMANDE
 - 2A LED AIGUILLE TEMPERATURE EAU
 - 2B LED AIGUILLE HUILE
 - 2C LED AIGUILLE ESSENCE
 - 2D LED AIGUILLE INTENSIV
 - 2E LED AIGUILLE CLIGNOTANTE
 - SERRURE DE CONTACT ET DE FELIX
 - 3 CLIGNOTANT AVANT DROIT LAMPE 12V R 10W
 - 3 CLIGNOTANT AVANT GAUCHE LAMPE 12V R 10W
 - 3 CLIGNOTANT ARRIERE DROIT LAMPE 12V 2.3W
 - 3 CLIGNOTANT ARRIERE GAUCHE LAMPE 12V 2.3W
 - PHARE PILOTE
 - 8A LAMPE PILOTE 12V 2.3W
 - 8B LAMPE STOP 12V 16W
 - INTERRUPTEUR ENGINE STOP E DEMARRAGE
 - 9 INTERRUPTEUR PASSING-LUMIERES-CLIGNOTANTS ET AVERTISSEUR
 - 11 INTERRUPTEUR DU STOP
 - 12 AVERTISSEUR (CLAXON)
 - 13 THERMOSTAT TEMPERATURE EAU
 - 14 VOYANT RESERVE HUILE
 - 15 VOYANT RESERVE ESSENCE
 - 16 RELAIS DE DEMARRAGE
 - 17 MOTEUR DE DEMARRAGE
 - 18 FUSIBLE 7.5 Amp
 - 19 BATERIE 12V 4Ah
 - 20 VOLANT MAGNETIQUE ELECTRONIQUE 12V 85W
 - 21 CONVERTISSEUR ELECTRONIQUE A.T.
 - 22 BOUCHE
 - 23 BOUCHE
 - 24 RELAIS DE LUMIERE 12V 30/20Amp
 - 25 CENTRALE CLIGNANT 12V 10/10W+REGULATER 12V 80W AC-DC
 - 26 ENTRAINER COMPTEUR (HALL EFFECT)